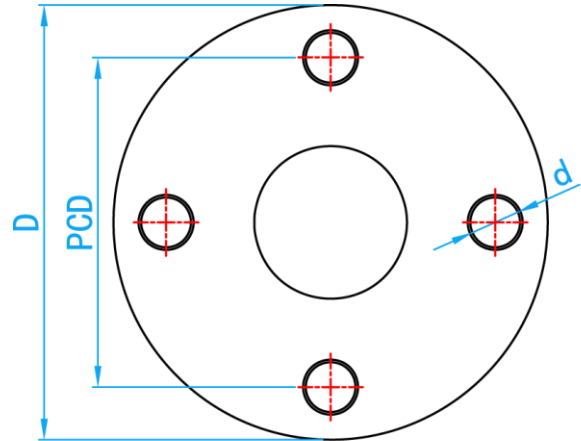
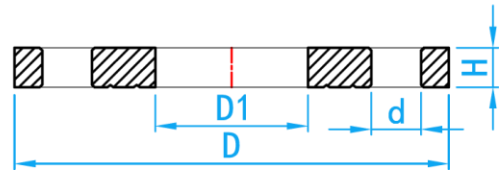


# STAINLESS STEEL 304/ 316L SOFF (SLIP-ON FLAT FACE) FLANGE PN16

COMPLY WITH BS 4504 PN16



TOP VIEW



CROSS SECTIONAL VIEW

### COMPONENT PARTS

PARTS	MATERIAL
Flange	AISI304 Optional AISI316L

### STANDARD SPECIFICATIONS

SKU		SIZE (mm)	D (mm)	D1 (mm)	PCD (mm)	NOs OF HOLES	d (mm)	H (mm)	WEIGHT (kg)
AISI304	AISI316L								
SS304FPN16050SO	SS316LFPN16050SO	54	167	61	125	4	18	22	3.10
SS304FPN16080SO	SS316LFPN16080SO	80	200	96	160	8	18	22	3.90
SS304FPN16100SO	SS316LFPN16100SO	100	220	115	180	8	18	22	4.50
SS304FPN16150SO	SS316LFPN16150SO	150	285	165	240	8	22	22	6.99